

Jolly

Electric pedestrian pallet truck

Load capacity: 1.6 / 2.0 t



by Carrellificio Cesenate



All controls are within reach



Easy, ergonomic controls

TECHNICAL FEATURES

Load capacity: 1.6 or 2 tons
Speed: 6 km/h, even when fully loaded
160Ah battery

Ultra-compact design.
Long tiller arm for safe operation and permanently light steering.
Creep speed button for safe handling in tight spaces.

High-power AC drive motor with kinetic energy recovery system.

Hydraulic sideshift (Jolly Tr).

Sturdy chassis - entirely made of steel.
High-quality shiny coating.

FOCUS ON ITS ADVANTAGES

Its **ultra-compact design** allows for easy manoeuvring even in tight spaces.

Its long tiller arm allows a **safe distance** between the operator and the truck, which is particularly important in turns.

The **steering stays light** in any circumstance.

Controls are located on an ergonomic handle to make your handling experience **easy** and safe.

It features a **powerful, maintenance-free** AC drive motor and develops a speed of 6 km/h even when fully loaded. A **new handling experience!**

Its fork extensions allow you to increase the width and the length of the forks - handle several types of pallet with a **single pallet truck!**

Standard equipment

160Ah battery
External automatic charger
Creep speed button
Battery status indicator
Rollers and slides for easy pallet entry/exit
Long-lasting drive wheel
Load backrest and hydraulic sideshift (Jolly Tr)

Main optional features

Lifting points
On-board diagnostics
Fork Extensions to increase fork length & width
High-traction drive wheel

Technical data

Features	1.1	Manufacturer		Logimach	Logimach
	1.2	Model		Jolly 16	Jolly 20 TR
	1.3	Drive		Electric	Electric
	1.4	Operator type: pedestrian, stand-on		Pedestrian	Pedestrian
	1.5	Rated load capacity	Q (t)	1.6	2.0
	1.6	Load centre	c (mm)	600	500
	1.8	Distance between the centre of the front axle and the back of the forks	x (mm)	1,000 (5)	797 (5)
	1.9	Wheelbase	y (mm)	1,340 (5)	1,179 (5)
	Weights	2.1	Truck weight incl. battery (see line 6.5)	kg	530
2.2		Axle loading, laden, drive end/load end	kg	1,320/810	1,730/840
2.3		Axle loading, unladen, drive end/load end	kg	150/380	160/410
Wheels and rollers	3.1	Tyres - drive end/load end (PU = Polyurethane V = Vulkollan)		PU/V	PU/V
	3.2	Wheel size, drive end	mm	230x75	230x75
	3.3	Wheel size, load end	mm	75x90	75x90
	3.4	Support castors (dimensions)	mm	100x55	100x55
	3.5	Number of wheels drive end/load end (x = powered)		x1/2/2-4	x1/2/2-4
	3.6	Track width, drive end	b10 (mm)	530	530
	3.7	Track width, load end	b11 (mm)	400	375
Basic dimensions	4.4	Lift	h3 (mm)	110	110
	4.9	Height of tiller in driving position min./max.	h14 (mm)	880/1,290	880/1,290
	4.15	Ground clearance, forks lowered	h13 (mm)	85	88
	4.19	Overall length (platform folded/in use)	l1 (mm)	1,680	1,530
	4.20	Length incl. fork backs (platform folded/in use)	l2 (mm)	490	530
	4.21	Overall width	b1 (mm)	750	750
	4.22	Fork dimensions	s/e/l (mm)	50/150/1,188(4)	61/175-245(3)/1,000-1,190(4)
	4.25	Overall fork width	b5 (mm)	550	550/690 (3)
	4.32	Ground clearance, centre of wheelbase	m2 (mm)	35	27
	4.33	Working aisle width with 1000x1200 lengthways, platform folded/in use	Ast (mm)	...	2,210
	4.34	Working aisle width with 800x1200 lengthways, platform folded/in use	Ast (mm)	2,171	2,140
4.35	Turning radius (platform folded/in use) (6)	Wa (mm)	1,496	1,334	
	Fork sideshift (travel)	Tr + Tr (mm)	...	40 + 40	
Performance	5.1	Travel speed laden/unladen (Joker - Joker GT)	km/h	6/6	6/6
	5.2	Hoist speed laden/unladen	m/s	0.04/0.08	0.04/0.08
	5.3	Lowering speed laden/unladen	m/s	0.05/0.03	0.05/0.03
	5.8	Max. gradeability laden/unladen	%	10/22	10/22
	5.10	Service brake		Electromagnetic	Electromagnetic
Electric	6.1	Drive motor, rating at S2 = 60 min	kW	1.2	1.2
	6.2	Hoist motor, rating at S3 = 10%	kW	2.2	2.2
	6.4	Battery voltage, rated capacity K5 (short chassis - long chassis)	V/Ah	24/160	24/160
	6.5	Battery weight	kg	150	150
Other data	8.1	Electric Drive Control		AC controller	AC controller
	8.4	Sound level at driver's ear (ref. EN 12053)	dB (A)	< 70	< 70

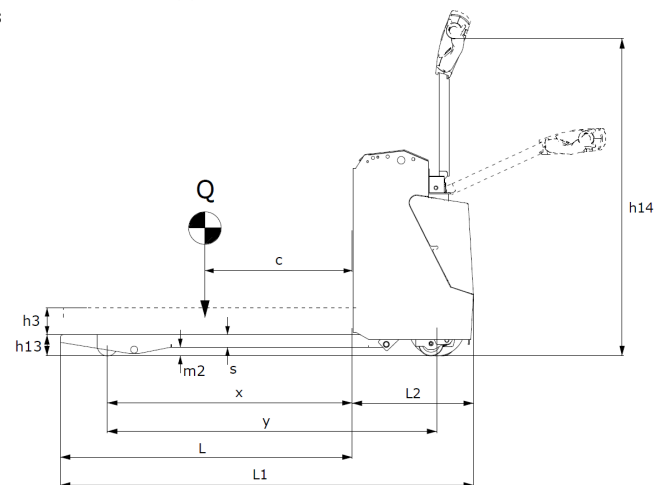
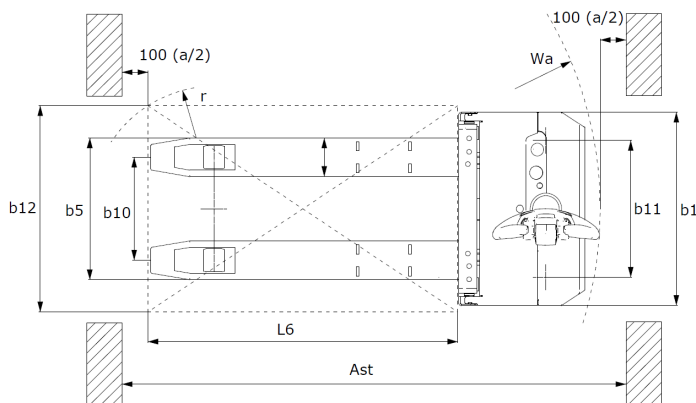
(1) With 240Ah battery

(2) VDI +456mm, forks length = 1000 + fork extensions

(3) Using fork side extensions

(4) Fitted with fork extensions

(5) Raised forks -53 mm



Technical data sheet according to VDI 2198 referring to the following truck configurations:
 Left column: Jolly, 1,180mm fork length and 550mm fork width. Right column: Jolly TR, 1000mm fork length and 550mm fork width, extensions to increase fork width & length. Other technical data available upon request. All rights reserved for technical modifications and improvements.

Some images in this brochure may show non-standard features.
 The accuracy of this brochure has been checked before printing.
 Since we at Carrellificio Cesenate strive to continuously improve our products, we reserve the right of changing the design, technical features, prices, and colours of these items any time.

CARRELLIFICIO CESENATE DI MINOTTI MARCO & C. SNC

Via delle Dolomiti, 110 – 47521 Cesena (FC) - Italy
 Tel. +39 0547 381150 – Fax +39 0547 631202
 info@carrellificiocesenate.it www.carrellificiocesenate.it

Dealer