

# Silver MC

## Aisi 304 Stainless steel stacker

With frontal rotation clamps



Small & handy, perfect for use in laboratoires



Clamps with Aisi304 stainless steel gripping equipment

### TECHNICAL FEATURES

Load capacity up to 300kg

24V 160Ah battery in stainless steel box  
Protection against water jets, even under pressure (min/max IPx4/IPx6)  
Sturdy frame entirely built in stainless steel

Powerful 1,2kw traction motor with AC technology, maintenance free

Clamps with opening/closing movements and 360° frontal rotation

All movements are electric

### FOCUS ON ITS ADVANTAGES

Silver MC is entirely built in Aisi304 stainless steel, **sturdy**, finely worked and **cared for in every details**.

All surfaces are smooth, well connected and easy to sanitize: **Silver MC is entirely washable** with fresh water **and can be sanitized**.

The single-column mast allows **superior front visibility for added safety**.

All movements are electric with **ergonomic buttons on tiller**. The lifting & lowering have a **joystick control** to modulate the speed and guarantee **delicate movements**.

### Standard equipment

Aisi304 stainless steel frame  
160Ah battery in stainless steel box  
IPx4/IPx6 protection

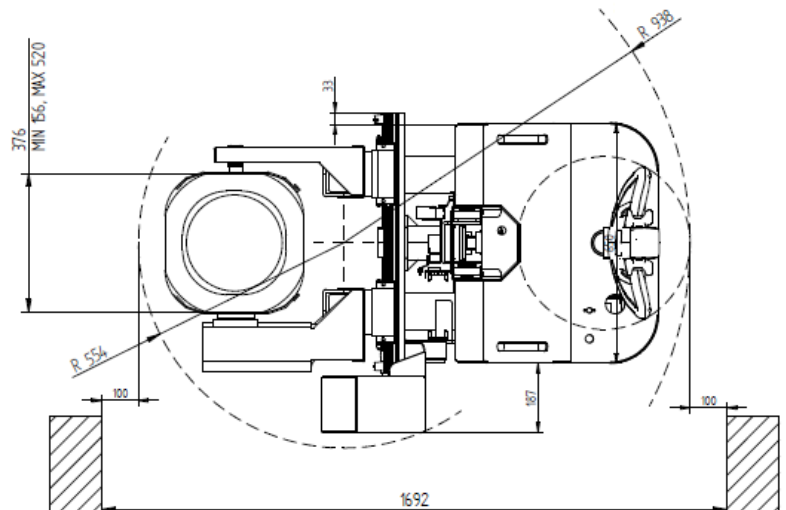
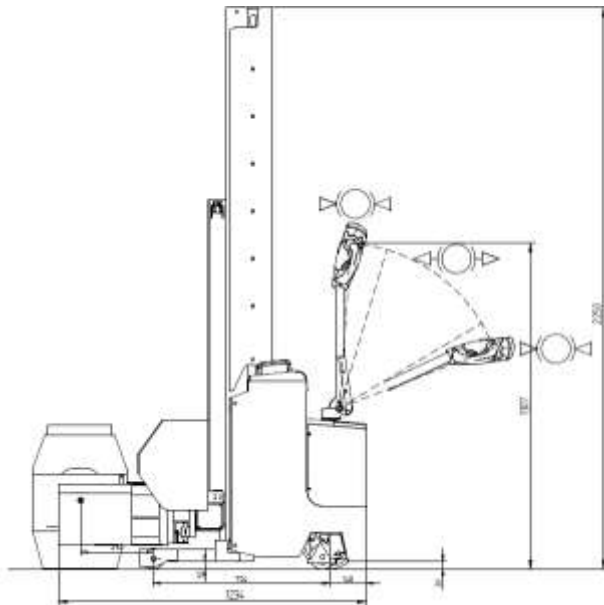
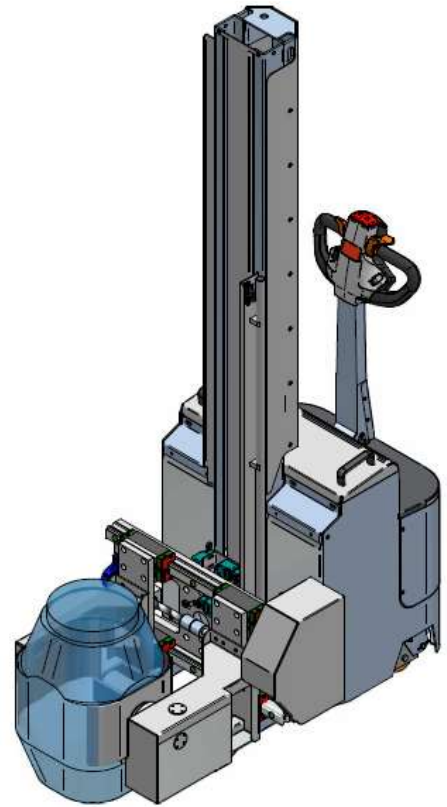
Clamps with opening/closing movements, 360° frontal rotation

### Main optional features

Aisi316 stainless steel frame  
Straddle version  
Counterbalanced version

# Technical data

Features	1.1	Manufacturer		Logimach
	1.2	Modell		SILVER MC
	1.3	Drive		Electric
	1.4	Operator type: pedestrian, stand-on		Pedestrian
	1.5	Rated load capacity	Q (t)	0,06
	1.6	Load centre	c (mm)	300
	1.8	Distance between the centre of the front axle and the back of the forks	x (mm)	942
	1.9	Wheelbase	y (mm)	1.388
	Rollers & wheels	3.1	Tyres – drive end/load end(PU=Poliiurethane, V=Vulkollan)	
3.2		Wheel size, drive end	mm	230x75
3.3		Wheel size, load end	mm	82x90
3.4		Support castors (dimensions)	mm	100x40
Basic dimensions	4.4	Lift	h3 (mm)	1.800
	4.9	Heigh of tiller in driving position min/max	h14 (mm)	1.030/1.307
	4.19	Overall length	l1 (mm)	1.234
	4.21	Overall width	b1 (mm)	870
	4.32	Ground clearance, centre of wheelbase	m2 (mm)	30
	4.34	Working aislewidth with drum	Ast (mm)	1.692
Performance	4.35	Turning radius	Wa (mm)	938
	5.1	Travel speed laden/unladen	km/h	4,5/4,5
	5.8	Max gradeability, laden/unladen	%	5/10
Electric	5.10	Service brake		Electromagnetic
	6.1	Drive motor, rating at S2 60min	kW	1,2
	6.2	Hoist motor, rating at S3 10%	kW	0,8
	6.4	Battery voltage, rated capacity C5	V/Ah	160Ah
Other	6.5	Battery weight	kg	150
	8.1	Electric drive control		AC technology
	8.4	Sound level at driver's ear (ref. EN 12053)	dB (A)	<70



All rights reserved for technical modifications and improvements. Some images in this brochure may show non-standard features.

The accuracy of this brochure has been checked before printing.

Since we at Carrellificio Cesenate strive to continuously improve our products, we reserve the right of changing.

## CARRELLIFICIO CESENATE di Minotti Marco & C. SNC

Via Cerchia di Sant'Egidio, 850 – 47521 Cesena (FC) - Italy

Tel +39 0547 381150 – Fax + 39 0547 631202

info@logimach.com

www.logimach.com

Dealer