



i100 helps the operator in the manual handling of loads.

Built in Aisi304 stainless steel, light, sturdy, practical and very easy to use, it has been designed to be used by female personnel.

Equipped as standard with 4 swivel wheels and X-shaped legs to be able to pick up the material placed on the pallets.

Very versatile and for all uses thanks to the wide choice of accessories available:

- Stainless steel shelf 50x50 cm
- Fork arms with length 39 cm (width 20 cm)
- Tips or shaped shelves for reels
- Clamps for drums and reels
- Other on request

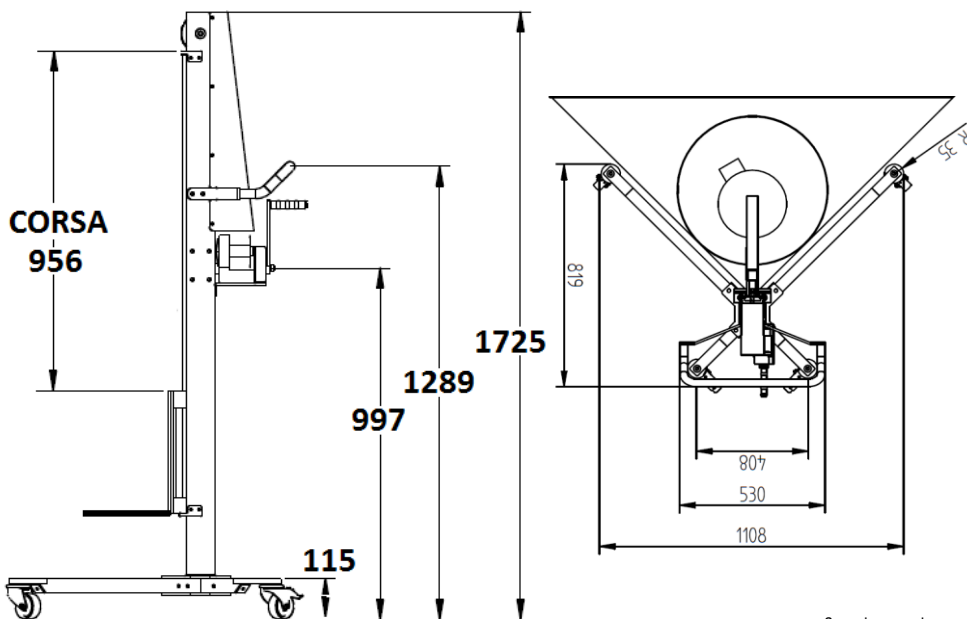
TECNICAL FEATURES

Load capacity 100 kg at 300 mm centre of gravity
Lifting stroke mm 935, lifting height up to 1600 mm

4 swivel wheels to be able to move it in all direction

Built in Aisi304 stainless steel

Lifting by means of a large-capacity self-braking winch to reduce the effort during lifting



i100 with pump food



Some images shown may contain optionals. Accurate values except for printing errors or technical changes